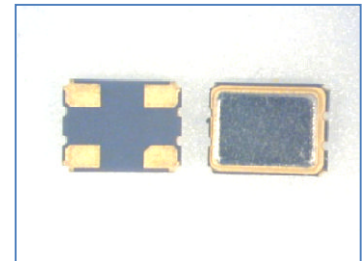


CMOS 3225 SPXO

SP300 Series

◆特長・用途/Feature

- ・SMD Package
- ・Supply Voltage +3.3V, +2.8V, +2.5V, +1.8V
- ・Output Level CMOS
- ・Frequency range 1MHz ~ 125MHz

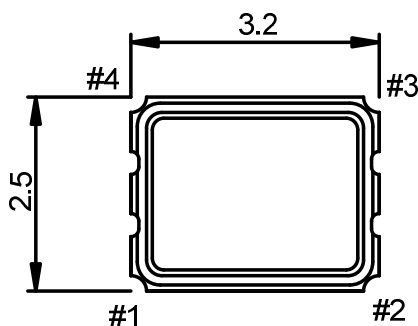


◆仕様/Specifications

RoHS Compliant

項目 / item	Min	Max	単位 / unit	Note
電源電圧 Power Supply voltage	+3.3, +2.8, +2.5, +1.8		V	--
出力周波数 Frequency range	1	125	MHz	--
周波数安定度 Freq. Overall tolerance	±25, ±50		10 ⁻⁶	-10~+70°C
	±25, ±50		10 ⁻⁶	-40~+85°C

◆外形寸法/Dimensions unit : mm



PAD	FUNCTION
#1	Tri-State
#2	GND
#3	Output
#4	VDD